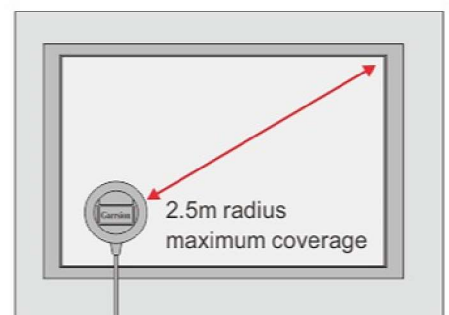
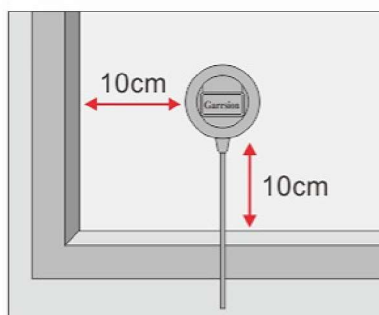


THE MOST DEPENDABLE ELECTRONIC GLASS-BREAK SENSOR LK-4105C

Ideal for protection of showcases and show windows in shop and fixed glass windows and glass doors in office, industrial building, etc.



- No need power source.
- Detects the specific frequency or vibration of breaking glass.
- Insensible against vibrations and shocks by wind, cars, railways, etc.,
- Requires no adjustment for sensitivity.
- Tamper function with sensor body.
- LK-4105C is housed in a water-resistant case.



SPECIFICATIONS:

Detection type :	Piezo-electric type
Resistance :	Typical (normally closed) : 7Ω max. Alarm(open) : 1MΩ min.
Time open on alarm :	1~3 sec.
Max, loop voltage :	15VDC
Max, loop current :	25mA
Power consumption :	Self generating on alarm
Operation temperature :	-10° ~ +50°C
Mounting method :	(Polyethylene) foam mounting double sided tape
Dimension :	39Ø x 12D (mm)
Cord length :	120cm (when stretched)