

**Compact Type**

# INFRARED PHOTOBEAM SENSOR

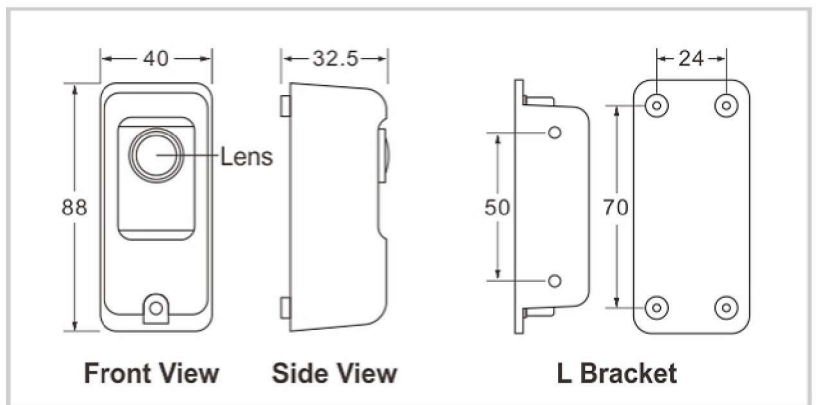
## LK-10H (Indoor/Outdoor)



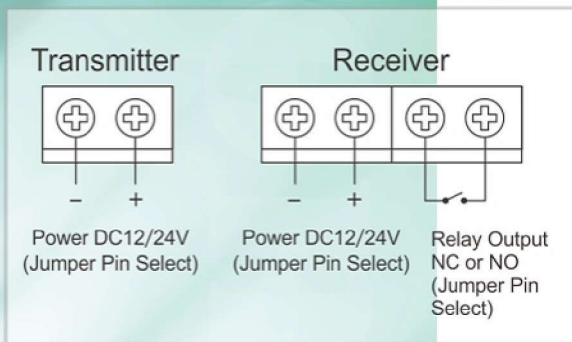
### Specification

- Distance: 15m Indoor / 10m Outdoor.
- Detection: Pulse Infrared.
- Input Power: DC12V or DC24V (Jumper Pin Select).
- Alarm LED: Red LED On (The Alarm is Triggered)
- Power Consumption: 38mA (DC12V)
- Relay Output: NC or NO Relay Dry Contact, 1A/120VAC, 2A/24VDC (NC or NO Selected by Jumper Pin)
- Operating Temperature: -20°C ~ +60°C

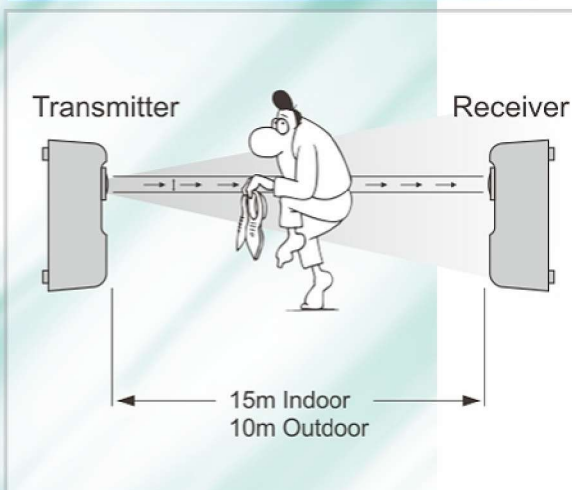
### Dimension (mm)



### Terminals



### Protection Distance



### Installation

